

Features

- 2-channel signal conditioner
- 24 V DC supply (loop powered)
- Logic input 15 V DC ... 30 V DC, non-polarized
- Relay contact output
- Up to SIL 3 acc. to IEC 61508

Function

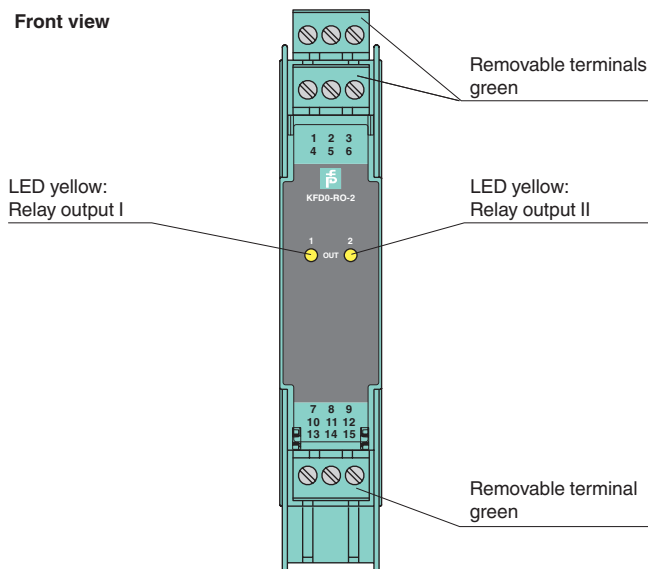
This signal conditioner provides the galvanic isolation between field circuits and control circuits.

The device switches circuits on the field side. Typical applications for the use of the device are remote reset, fire alarm testing or remote calibration of strain gauges.

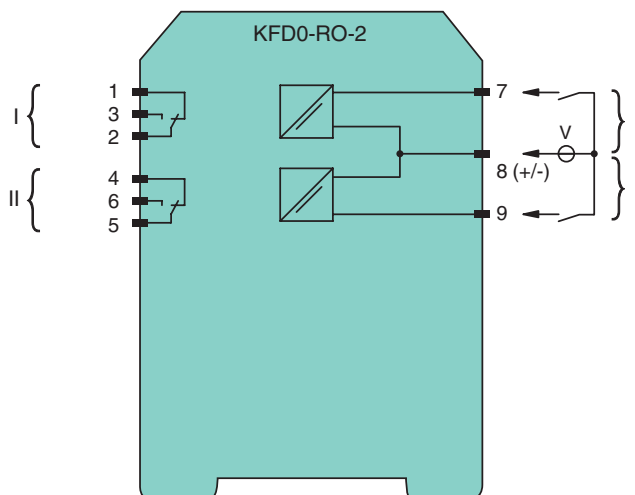
The outputs are galvanically isolated to the inputs. The inputs are not polarized and share a common reference potential.

Each input of the device is protected by a fuse and an electronic current limiting.

Assembly



Connection

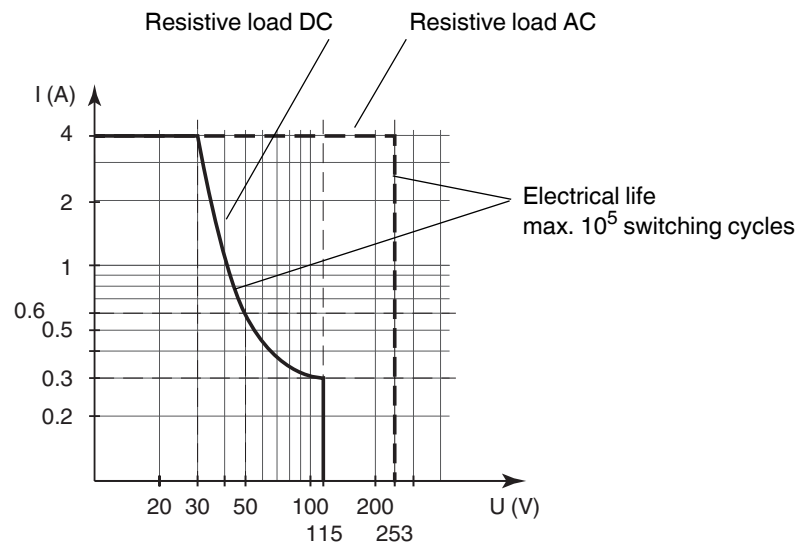


Release date 2018-05-08 08:09 Date of issue 2018-05-08 247196_eng.xml

General specifications	
Signal type	Digital Output
Functional safety related parameters	
Safety Integrity Level (SIL)	SIL 3
Supply	
Rated voltage U_r	loop powered
Power dissipation	0.8 W
Input	
Connection side	control side
Connection	terminals 7, 8, 9
Input voltage	15 ... 30 V DC
Input current	≤ 21 mA per channel
Output	
Connection side	field side
Connection	terminals 1, 2, 3; 4, 5, 6
Contact loading	230 V AC/4 A/cos ϕ > 0.7; 30 V DC/4 A resistive load
Energized/De-energized delay	approx. 10 ms / approx. 5 ms
Mechanical life	5 x 10 ⁶ switching cycles
Electrical life	10 ⁵ switching cycles , at maximum load
Transfer characteristics	
Switching frequency	< 10 Hz
Galvanic isolation	
Input/Output	reinforced insulation according to IEC/EN 61010-1, rated insulation voltage 300 V _{eff}
Output/Output	basic insulation according to IEC/EN 61010-1, rated insulation voltage 300 V _{eff}
Indicators/settings	
Display elements	LEDs
Labeling	space for labeling at the front
Directive conformity	
Electromagnetic compatibility	
Directive 2014/30/EU	EN 61326-1:2013 (industrial locations)
Low voltage	
Directive 2014/35/EU	EN 61010-1:2010
Conformity	
Electromagnetic compatibility	NE 21:2006
Degree of protection	IEC 60529:2001
Ambient conditions	
Ambient temperature	-20 ... 65 °C (-4 ... 149 °F)
Mechanical specifications	
Degree of protection	IP20
Connection	screw terminals
Mass	approx. 100 g
Dimensions	20 x 119 x 115 mm (0.8 x 4.7 x 4.5 inch) , housing type B2
Mounting	on 35 mm DIN mounting rail acc. to EN 60715:2001
General information	
Supplementary information	Observe the certificates, declarations of conformity, instruction manuals, and manuals where applicable. For information see

Release date 2018-05-08 08:09 Date of issue 2018-05-08 247196_eng.xml

Maximum switching power of output contacts



The maximum number of switching cycles is depending on the electrical load and may be higher when reduced currents and voltages are applied.